

FR ALUM

FR 0 / FR 1 / FR 2 / FR 3

The Justor FR retaining brake eliminates door slams caused by a bad usage of the door or self-closing devices being previously installed. It operates in the last 10° ensuring the total closing of the door. Possibility to adjust the closing speed in between 1 and 10 seconds. Different models according to the strength. Fixed or adjustable closing speed (G models).

Outside materials

- cylindrical body: anodized aluminum.
- other external components: painted steel.
- hook: steel (painted)
- pins: steel (galvanized)
- wheel: synthetic rubber

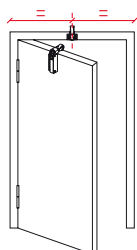
Inside materials

- hydraulic oil
- inner spring: special

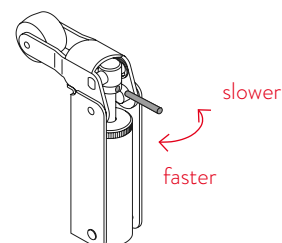
Performance

- mechanism: hydraulic system
- closing system: possibility of fixed or adjustable closing speed

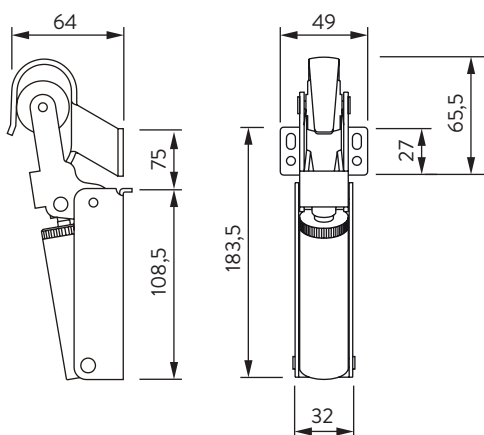
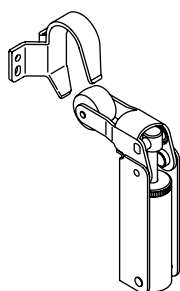
Proper installation



Easy speed adjustment (G models)

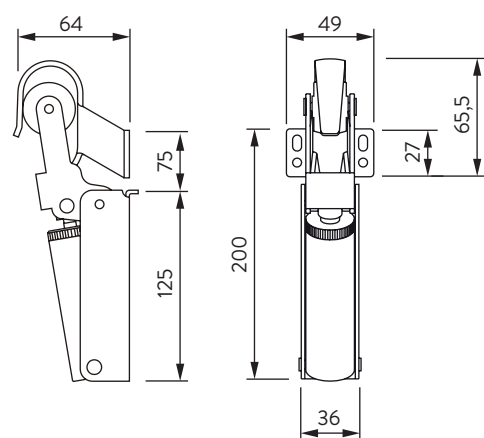
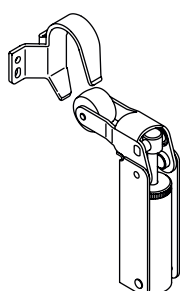


FR 0 (G) FR 1 (G)



	FR 0 FR 0 G	FR 1 FR 1 G
Strength (N)	30	60
Door width (cm)	75	85
Door weight (kg)	15	40

FR 2 (G) FR 3 (G)



	FR 2 FR 2 G	FR 3 FR 3 G
Strength (N)	80	115
Door width (cm)	110	125
Door weight (kg)	80	100